

Pass Box



Application

The fume cupboard can be fitted with an SAS (safety access system) on the side for exchanging materials with the outside. The SAS is made of PMMA (transparent methacrylate), which allows total visibility from outside and inside the fume cupboard. Exterior dimensions of 360 x 340 x 500 mm.

For side-mounting on fume cupboards with a 90° opening by means of two watertight hatches with safety seals. It is also possible to pass materials from one fume cupboard to another through a communication window located on its side.

It allows materials to be passed through from one work area to another without coming into contact with the general environment of the laboratory. Made of high-pressure laminate with resistance to chemical attack, and polyethylene guides.

Models

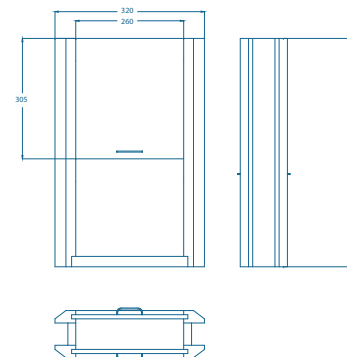
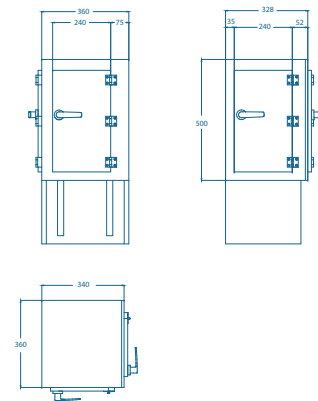


1. SAS pass box



2. Communication window

Drawings



Technical data

Reference	Model	Dimensions (mm)		
		Width	Depth	Height
AVG-SAS	SAS pass box	360	340	500
AVG-VC	Communication window	320	-	585